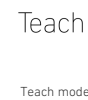
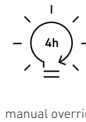


IS 345

PF - surface, rd.
EAN 4007841 033828
Article number 033828



Function description

Huge reach. Infrared motion detector IS 345 for indoors and out, ideal for passageways, corridors and commonly used spaces, installation height 5 m, detection zone 12 x 6 m (radial) and 23 x 6 m (tangential), large terminal compartment for easy installation, heavy-duty relay for high switching capacity. Available either in round or square surface-mounted and concealed version.

Technical specifications

Dimensions (Ø x H)	126 x 65 mm
Manufacturer's Warranty	5 years
Settings via	Remote control, Potentiometers, Smart Remote
With remote control	No
Version	PF - surface, rd.
PU1, EAN	4007841033828
Type	Motion detectors
Application, place	Outdoors, Indoors
Application, room	corridor / aisle, multi-storey / underground car park, outdoors, Indoors
Colour	white
Colour, RAL	9003
Includes corner wall mount	No
Installation site	ceiling
Installation	Surface wiring, Ceiling
IP-rating	IP54

Capacitive load in µF	176 µF
Technology, sensors	passive infrared, Light sensor
Mounting height	2,50 – 5,00 m
Mounting height max.	5,00 m
Optimum mounting height	2,8 m
Detection angle	Aisle, 360 °
Angle of aperture	45 °
Sneak-by guard	Yes
Capability of masking out individual segments	Yes
Electronic scalability	No
Mechanical scalability	No
Reach, radial	12 x 6 m (72 m ²)
Reach, tangential	23 x 6 m (138 m ²)
Switching zones	280 switching zones
Functions	Normal / test mode, Manual ON / ON-OFF
Twilight setting	2 – 1000 lx

IS 345

PF - surface, rd.
 EAN 4007841 033828
 Article number 033828



Technical specifications

Ambient temperature	from -20 up to 50 °C
Material	Plastic
Mains power supply	220 – 240 V / 50 – 60 Hz
Fluorescent lamps, electronic ballast	1500 W
Fluorescent lamps, uncorrected	1000 VA
Fluorescent lamps, series-corrected	400 VA
Fluorescent lamps, parallel-corrected	400 VA
Switching output 1, low-voltage halogen lamps	2000 VA
LED lamps < 2 W	100 W
LED lamps > 2 W < 8 W	300 W
LED lamps > 8 W	600 W

Time setting	5 s – 15 Min.
Basic light level function	No
Main light adjustable	No
Twilight setting TEACH	Yes
Constant-lighting control	No
Interconnection	Yes
Type of interconnection	Master/master
Interconnection via	Cable
Product category	Motion detector

Accessories

EAN 4007841 009151	Remote control Smart Remote
EAN 4007841 559410	Service remote control RC8
EAN 4007841 056735	Black cover for IR-sensors

IS 345

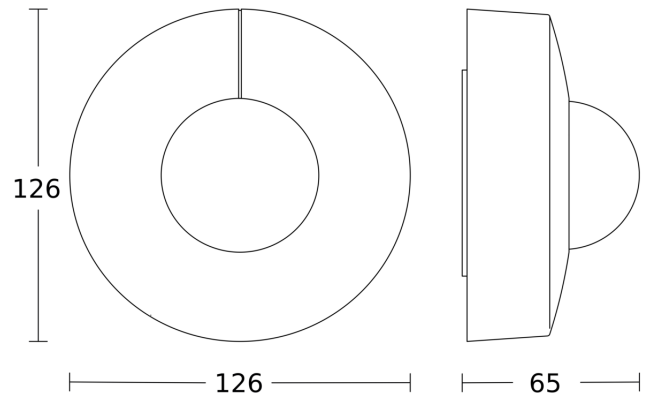
PF - surface, rd.
EAN 4007841 033828
Article number 033828

Detection Zone



Possible mounting height: 2,50 m - 5,00 m
Orange: radial
Black: tangential

Dimension Drawing



Master circuit diagram

